

Features

- Universal input 90~264V AC
- Approved to UKCA, CE, TUV-GS, cULus, RCM (C-Tick), CCC, FCC, PSE, RoHS
- UL 62368-1 Safety Approved
- Single Output 5V dc
- OVP, OCP, OTP, SCP



Ideal Power's 14AK36WG-xyW2-RS 25W AC/DC External Desktop Power Supply (PSU) Series are certified to UKCA, CE, TUV-GS, cULus, RCM (C-Tick), CCC, FCC, RoHS & UL 62368-1 Standards and comply with the relevant Efficiency Regulations. These are primarily used in ITE, Audio & Video Industries and customised solutions are available upon request.

Models

Model Number	Output Voltage (V DC)	Output Current (A)	Output Power (W)	Efficiency (Typ)
14AK36WG-0500500W2-RS	5	5	25	84

Input Data

	Min	Typical	Max	Units	Notes
Input Voltage	90	--	264	V AC	100-240VAC +/- 10%
Input Frequency	47	--	63	Hz	50-60Hz +/- 5%
Input Current	--	--	0.5	A	
Inrush Current	0	--	60	A	At cold start, 100 / 240V AC
Leakage Current	--	--	0.25	mA	

Output Data

	Min	Typical	Max	Units	Notes
Output Current Range	0.0	--	1.2	A	
Ripple & Noise	--	--	200	mVp-p	
Line Regulation	--	±5	--	A	@ 100 Vac to 240 Vac input & Full load
Load Regulation	--	±5	--	%	
Turn-on Delay Time	--	--	3	S	@ 100 Vac to 240 Vac input & Full load
Hold-up Time	5	--	--	S	@ Full load & 115Vac at full load

Protection Requirements

	Min	Typical	Max	Units	Notes
Over Current Protection	6.0	--	10.0	A	Will recover if fault condition is removed
Short Circuit Protection					Will recover if fault condition is removed
Over Voltage Protection					Will recover if fault condition is removed

Environmental Data

	Min	Typical	Max	Units	Notes
Operating Temperature	0	--	+40	°C	
Storage Temperature	-20	--	+80	°C	
Operating Humidity	10	--	90	%	non condensing
Relative Humidity	10	--	95	%	non condensing

Reliability Requirements

	Min	Typical	Max	Units	Notes
Dielectric Strength	--	--	5	mA	4242Vdc / 60s (3s for mass production)
Leakage Current	--	--	0.25	mA	@ 264Vac / 50H
Insulation Resistance	50	--	--	mΩ	@primary to secondary add 500Vdc test voltage

EMC Emissions (2014/30/EU)

	Standard	Test Level	Criteria	Notes
Radiated & Conducted	EN 55032	Pass	B	EMC Directive 2014/30/EU
	EN 55014	Pass	B	
	EN 55015	Pass	B	
	FCC Part 15	Pass	B	

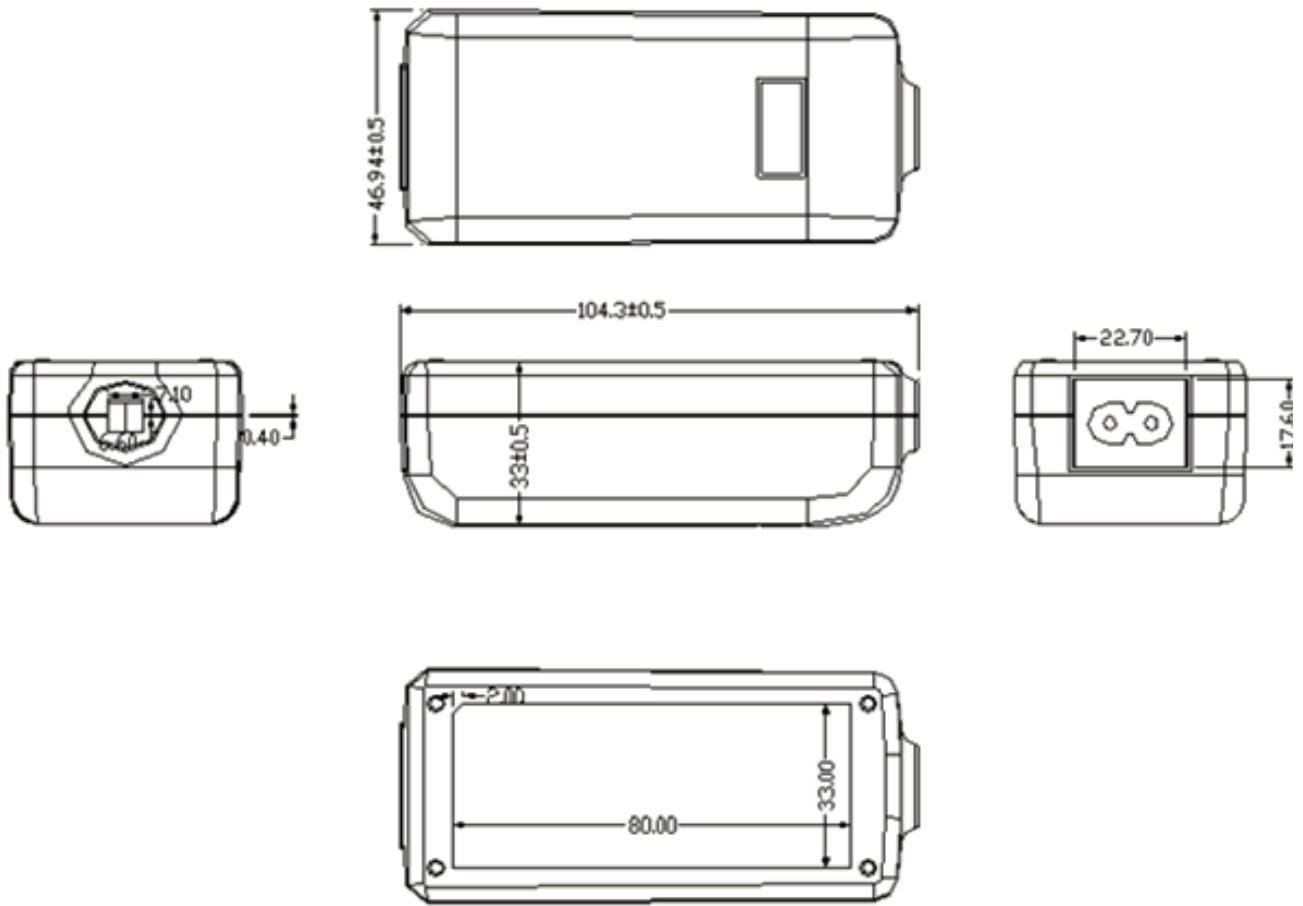
EMC Immunity (2014/30/EU)

	Standard	Test Level	Criteria	Notes
ESD	IEC 61000-4-2		B	Contact: +/- 4KV; Air: +/- 8KV
	IEC 61000-4-3		A	80-1000MHz Field Strength: 3 V/m with 80% amplitude modulation of 1 kHz
EFT	IEC 61000-4-4		B	Power Line 1kV, Signal Line 0.5kV
Surge	IEC 61000-4-5		A	Line to Line: +/- 1KV (peak); Line to F.G: +/- 2KV (peak)

Safety Approvals

	Safety Standards
Safety Standards	EN 55032, UL 62368-1, approved
Approvals	UKCA, CE, TUV-GS, cULus, RCM (C-Tick), CCC, FCC, PSE, RoHS

Mechanical Drawing

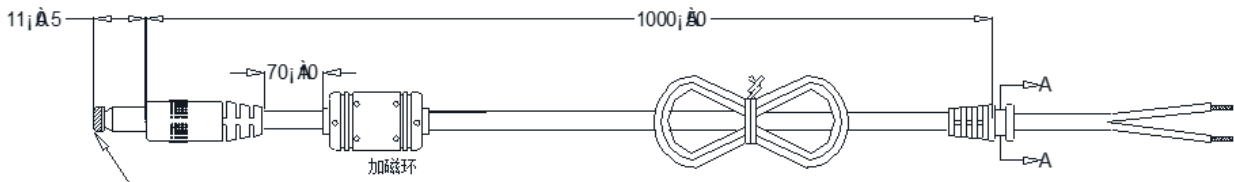


Typical Label:

RS PRO		AC ADAPTOR (电源适配器)			
RS stock No (库存号) : 123-4567				E487891	
MODEL (型号) : AK36WG-0500500W2		www.tuv.com ID 0235006251	GMA-507384-EA	I.T.E. POWER SUPPLY	
INPUT (输入) : 100-240V.50/60Hz 1.0A					
OUTPUT (输出) : 5.0V --- 5.0A 25.0W		Tested To Comply With FCC Standards FOR HOME OR OFFICE USE			
MADE IN CHINA (中国制造)					
YYWW					
		株式会社			

Cable Drawing

Typical Cable drawing



音叉带凹槽/Fork and groove



NOTE:

- 1>UL 1185 16AWG 80°C 300V VW-1 L=1000±0.10mm;
- 2>PLUG: 5.5*2.1*11mm,内正外负, inside "+", outside "-";
- 3>Color: Black;
- 4>RoHS.

